



**ARTMATCH**  
IN EVERY STORE

**BEVERAGE  
DISPLAYS**



## HISTORY

Since 1998, we are providing high quality and cost-efficient solutions for display designs. Our continuous development based on innovation, consistency, and dedication made us a trustworthy European partner in the retail environment.

## MISSION

Creativity and flexibility define us as we are highly adaptable to our customers' needs. Our main focus is to come up with customised, versatile, and up-to-date solutions that will significantly improve the shopping experience. Our aim is to make customers sell better. The question is: Do you want to sell better?





## Looking for an attractive and efficient solution to display your products?

Look no further! Here's a fact: every bottle is different. The good news is that we are highly adaptable, versatile, and our special power is customisation.

Having your brand's needs in our mind, we manage to highlight the qualities of each and every product - regardless of its shape, size, or concept.

With over 20 years of experience in custom retail display creation, ARTMATCH works with a dedicated and skilled team helping its customers sell better.



# VACUUM-FORMED POSTERS

It's time for you to stand-out - literally

Give life to your product with this attractive 3D design that will be hard not to notice.

## Characteristics:

- Made of PVC or PS film
- UV digital, UV screen or UV offset-printing



## VACUUM-FORMED TRAYS

### Serve your customers wisely

These trays will not only make your product visible, but they are also the most effective way to use and organize the retail space.

#### Characteristics:

- Made of PVC or PS film
- Various sizes available





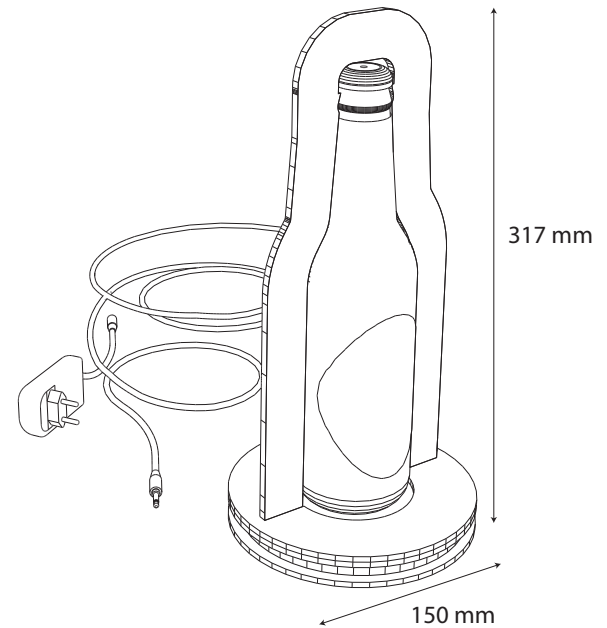
# PRODUCT HIGHLIGHTER

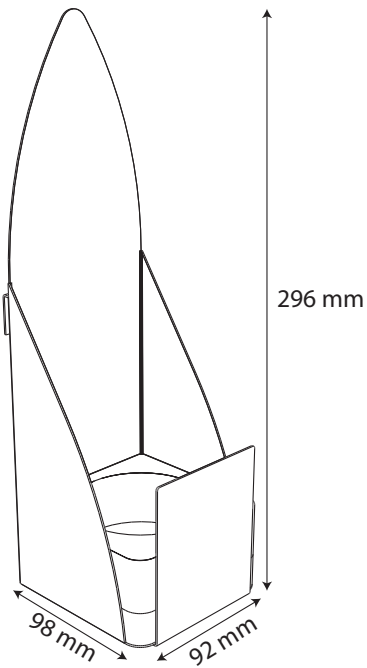
An outstanding product needs a tailor-made presentation

No time to despair. We got your back! This product highlighter will fit your bottle like a glove and it will accentuate all its qualities.

## Characteristics:

- Made of plexiglass (different thicknesses), PVC foam board, LED strip and power supply
- Outer overall dimensions: 150x317 mm





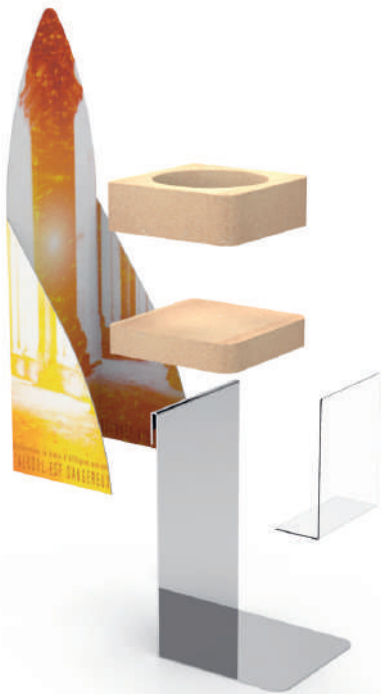
## MULTI MATERIAL PRODUCT HIGHLIGHTER

Which one of the bottles will win this game of thrones?

I wouldn't waste more time if I were you. This product highlighter is a real showstopper, perfect to promote a new line of beverages.

### Characteristics:

- Made of PVC foam, medium-density fibreboard (MDF), steel sheet, clear PET film
- Outer overall dimensions: 92x98x296 mm



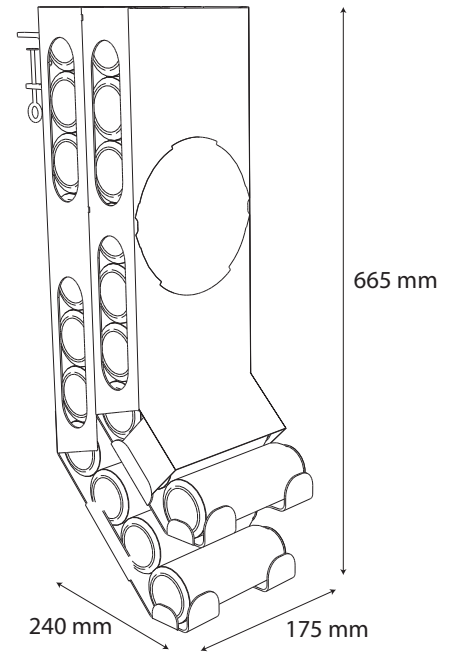
# GRAVITY DISPENSER

Let's play with gravity and keep your products rolling

This special dispenser for cans is a compact, space saving solution, which facilitates stock rotation. Your products will keep rolling in the customers' shopping carts in no time.

## Characteristics:

- Made of steel sheet, clear PET film
- Outer overall dimensions:  
175x240x665 mm







## BOTTLE/CAN DISPLAY

Let's get creative here!

One display and yet so many messages. Speak in your customers' language and make them choose your product.

### Characteristics:

- Made of HDF or PVC foam board
- The clamps come in two sizes and they can be positioned in a wide variety of angles
- UV digital printing or UV screen-printing (for higher quality)



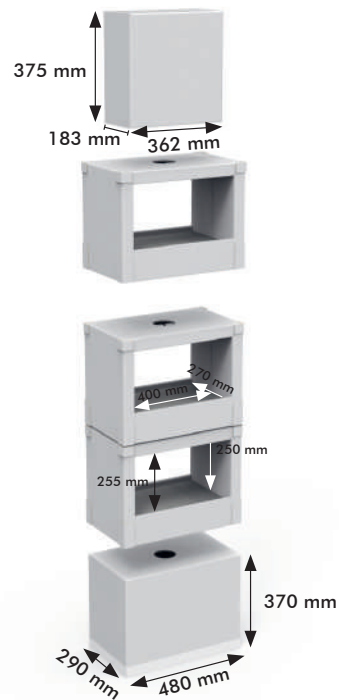
# MODULAR CARDBOARD DISPLAY

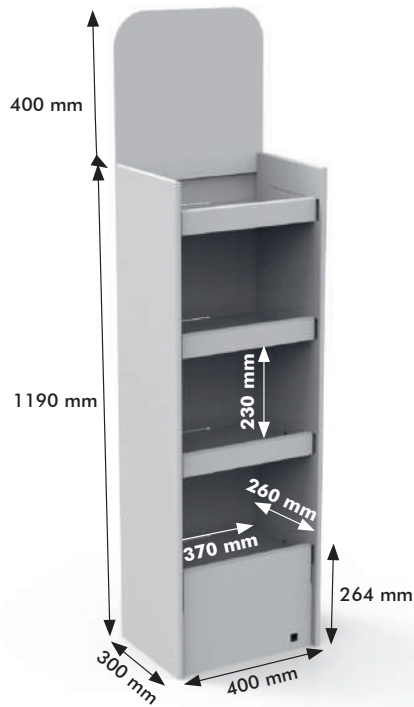
## Have you heard of the new game: MIX & MATCH?

This display is not only, lightweight and cost effective, but it's also a real challenge for your creativity. Are you in?

### Characteristics:

- Made of corrugated cardboard, UV printed
- Outer overall dimensions: 480x290x1875 mm
- Shelf load: 20 kg





## ILLUMINATED CARDBOARD DISPLAY

### Make your brand shine bright

Let's put the spotlight on your product! Just think about it. While this illuminated display will help you sell more, your brand is gaining recognition.

### Characteristics:

- Made of corrugated cardboard, LED strip, batteries and motion sensor
- Outer overall dimensions: 400x300x1590 mm
- Shelf load: 15 kg



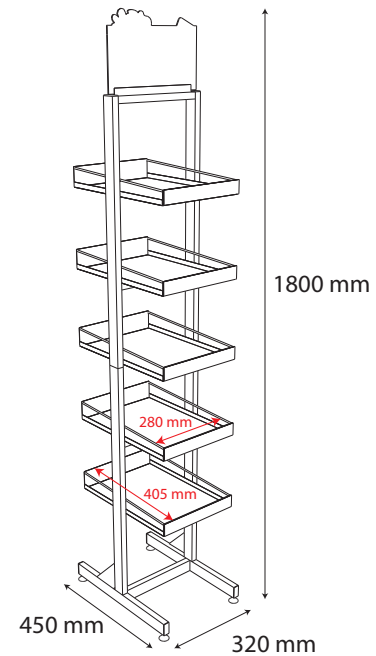
# SLIM METAL DISPLAY

## Slim down, fit better

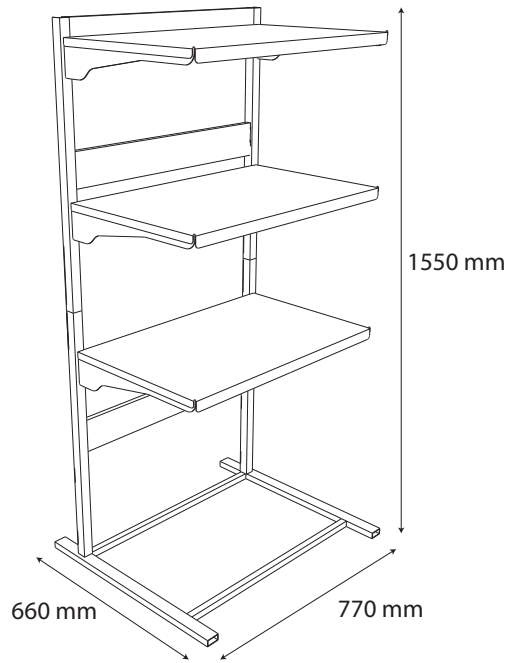
You can fit your display now in really narrow spaces, and yet you will still generate interest in your products.

### Characteristics:

- Made of steel sheet, rectangular steel pipe, PVC foam board
- Outer overall dimensions: 320x450x1800 mm
- UV printed







## MODULAR METAL DISPLAY

**Long term visibility for long lasting time frames**

This incredibly strong and robust metal display is able to handle heavy weights and it's a great option if you are looking for a permanent display.

### Characteristics:

- Made of steel sheet and rectangular steel pipe
- Outer overall dimensions: 770x660x1550 mm



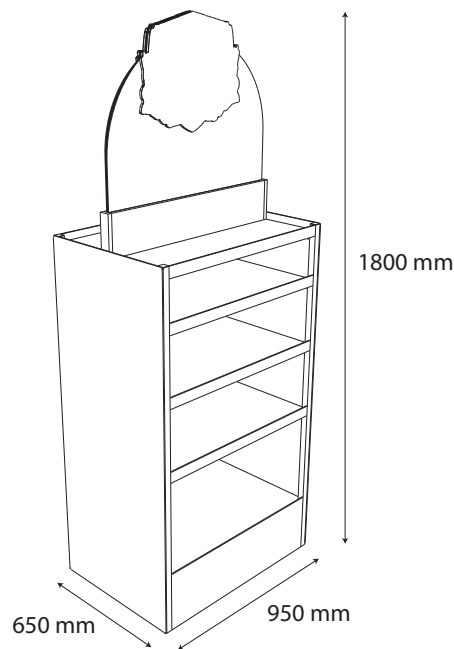
# ILLUMINATED METAL DISPLAY

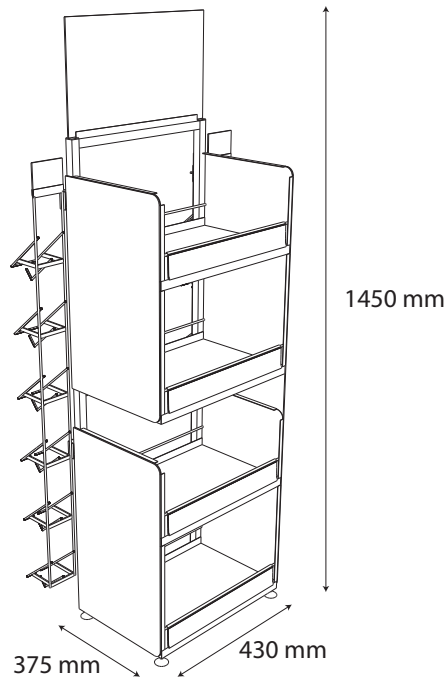
## Let's go the extra mile

Yes, it's metal and it's illuminated! If you think your products could use a little bit more attention, this display is made for you.

### Characteristics:

- Made of steel sheet, rectangular steel pipe, PVC foam board, clear plexiglass, LED strip and power supply
- Outer overall dimensions: 950x650x1800 mm





## MODULAR METAL DISPLAY

Now it's not only metal, but it's modular too!

Have you ever felt the fulfillment of finding the right piece of the puzzle? This display is the same - except it's real sized, metal, and it helps you sell your product better.

### Characteristics:

- Made of steel sheet, rectangular steel pipe, metal wire and PVC foam board
- Outer overall dimensions: 430x375x1450 mm



# VACUUM-FORMED MODULAR DISPLAYS

## Ready to sell better?

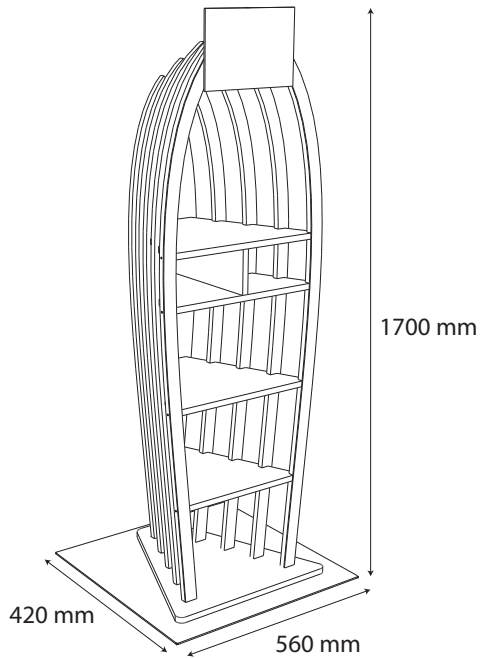
Find a strategic place to display your product. Make sure it's visible and reachable - we will take care of the rest.

### Characteristics:

- Made of steel uprights, PVC foam board and MDF board
- Outer overall dimensions:  
410x520x1600 mm  
800x775x1600 mm  
800x560x1600 mm







## BOAT DISPLAY

### Catch the wind of sale

We bring to your attention this organic, attractive and unique boat display. Looks like your sails found some wind!

### Characteristics:

- Made of beech wood, PVC foam board and aluminium sheet (optional)
- Outer overall dimensions: 560x420x1700 mm



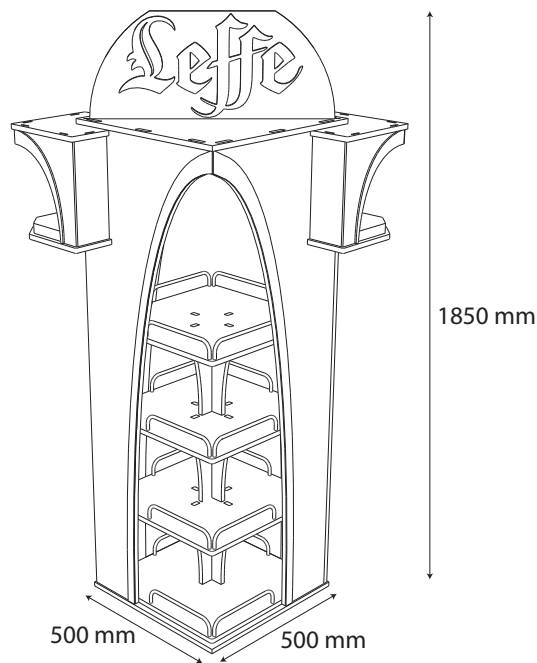
## LEFFE WOODEN DISPLAY

It's time to get some organic reach offline too

After all that attention geared towards social media, we come with a wooden display that will generate some excitement in stores too.

### Characteristics:

- Made of oriented strand board (OST), PVC foam board, aluminium pipe, LED strip and power supply
- Outer overall dimensions: 500x500x1850 mm



# FLAT PACK DISPLAYS

2019



Discover  
a new  
range of  
Displays!

All the displays are created and built by the guys in our design department in a cost saving mindset.

Delivered in a way that minimizes the freight volume. Individually packed for better logistics, for easier storage and split deliveries. Illustrated easy-to-build assembly instructions.

Our cool designers are looking forward for more challenges 😊

Visit our website for more information: [www.artmatch.net](http://www.artmatch.net).



## ROMANIA

Customer service, Design, Production  
Calea Șagului (DN59), KM 8+550 m,  
Platforma Incontro, Hala 4-7  
307221 Chișoda, Timiș, Romania  
Phone: +4 0256 305000  
info@artmatch.ro

## ROMANIA

Sales office  
Str. Ecaterina Teodoroiu 5  
010971 București, Sector 1, Romania  
Phone: +40 372783591  
bucuresti@artmatch.ro

## HUNGARY

Kagyló utca 1-3. 2092 Budakeszi  
Phone: +36 23-457145  
info@artmatch.hu

## SERBIA

Bulevar Arsenija Carnojevica 203/3,  
11070 Novi Beograd  
Phone: +381 11-3121575  
info@artmatch.rs

## GERMANY

Raiffeisenring 15, 46395 Bocholt  
Phone: +49 0 2871-2943758  
info@artmatch.net

## MOLDOVA

GO STORE SRL, exclusive distributor  
Str. Zamfir Arbore 6, Chișinău, Moldova  
Phone: +373 22-992822, +373 60-109909  
info@artmatch.md



**ARTMATCH**  
IN EVERY STORE