



**ARTMATCH**  
IN EVERY STORE

**FOOD  
DISPLAYS**



## HISTORY

Since 1998, we are providing high quality and cost-efficient solutions for display designs. Our continuous development based on innovation, consistency and dedication made us a trustworthy European partner in the retail environment.

## MISSION

Creativity and flexibility define us, as we are highly adaptable to our customers' needs. Our main focus is to come up with customised, versatile and up-to-date solutions that will significantly improve the shopping experience.

Our aim is to make customers sell better.

The question is:

**Do you want to sell better?**





## Results that matter, that is what we are working for.

In the 21st century, every detail can make a difference and we do not underestimate the power of a good product presentation. Our customers and their projects tell fascinating stories and speak for themselves. Each project requires another approach. We will be there for you during every step of this project: from design and development until implementation.

With over 20 years of experience in custom retail display creation, we have a dedicated and skilled team helping our customers to sell better.



## VACUUM-FORMED POSTERS

It's time for you to stand-out - literally

Give life to your product with this attractive 3D design that will be hard not to notice.

### Characteristics:

- Made of PVC or PS film
- UV digital, UV screen or UV offset-printing



## VACUUM-FORMED TRAYS

### Serve your customers wisely

These trays will not only make your product visible, but they are also the most effective way to use and organize the retail space.

#### Characteristics:

- Made of PVC or PS film
- Various sizes available



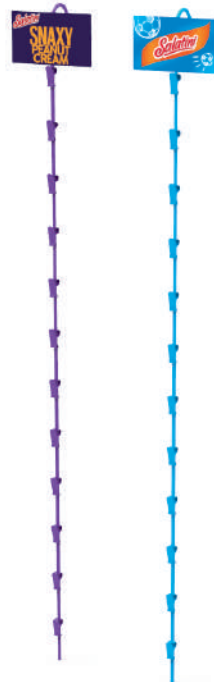
# MERCHANDISING STRIPS

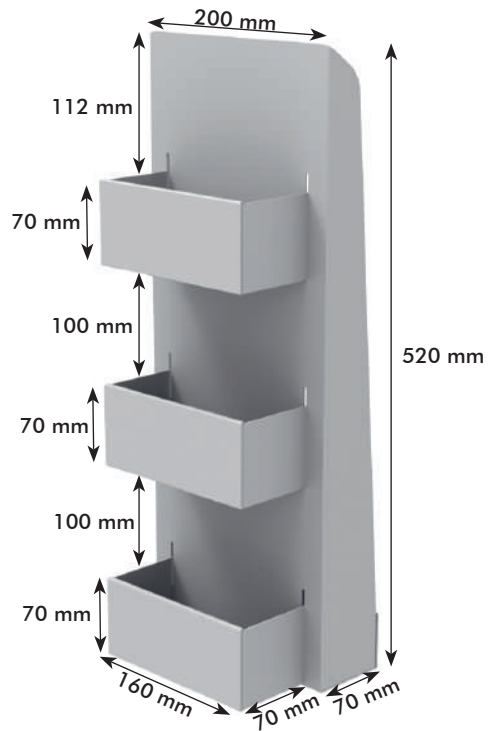
We will fit a stripe for you

Whether you want them with pockets, hooks or clamps, we have a solution that fits any packaging and weight.

## Characteristics:

- Made of various materials
- Some of them can be delivered flat





## FLAT PACK COUNTER DISPLAY

Counter displays must present themselves like at a beauty competition. There are only a few seconds to grab your customer's attention and convince them to choose your product instead of the many others around.

This simple, yet attractive display will eliminate the competition and make sure your brand will be remembered.

### Characteristics:

- Made of corrugated cardboard
- Outer overall dimensions: 200x40x520 mm



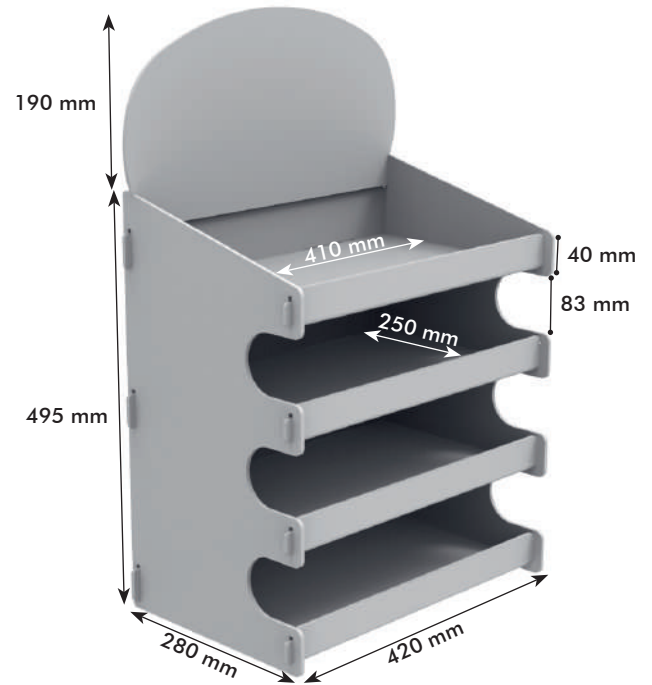
## 4 SHELF PVC COUNTER

Here's your last chance to grab your customers' attention

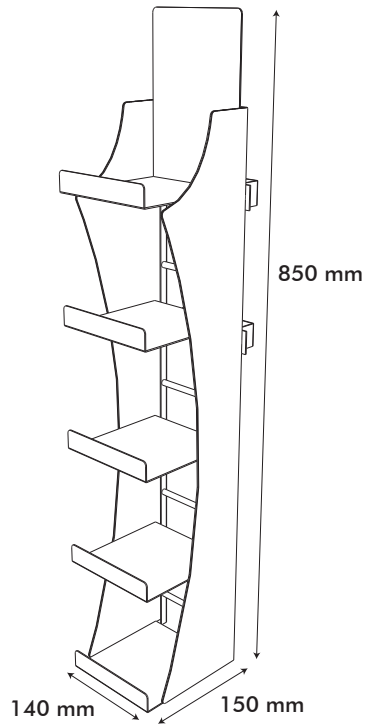
Countertop point-of-sale displays create impulse retail sale opportunities from a small footprint that even small independent stores can find space for.

### Characteristics:

- Made of PVC foam 5 mm
- Outer overall dimensions: 420x280x685 mm







## EYE CATCHING HANGING DISPLAY

### Be on the cutting edge of design

This eye catching hanging display is a great way to save some space because it can be easily attached to the shelf edge.

#### Characteristics:

- Made of steel sheet, metal wire, glossy adhesive foil
- Outer overall dimensions: 140x150x850 mm



## CARDBOARD BIN DISPLAYS

The roof is the limit - everything in between is our job

The cardboard bin also known as dump bins are ideal for displaying a large range of products and special offers. This is an excellent solution that is supplied flat packed and ready to pop into action.

### Characteristics:

- Made of corrugated cardboard
- Various sizes available





## CARDBOARD FLOOR DISPLAYS

It makes all the difference!

Creative challenges are our favourite because they activate our minds and feed our artistic soul. We are always happy to add to our portfolio unique display designs that make us proud of our team of specialists. One of them is this display that catches the attention because of its attractive shape and unmistakable design.

### Characteristics:

- Made of corrugated cardboard
- Various sizes



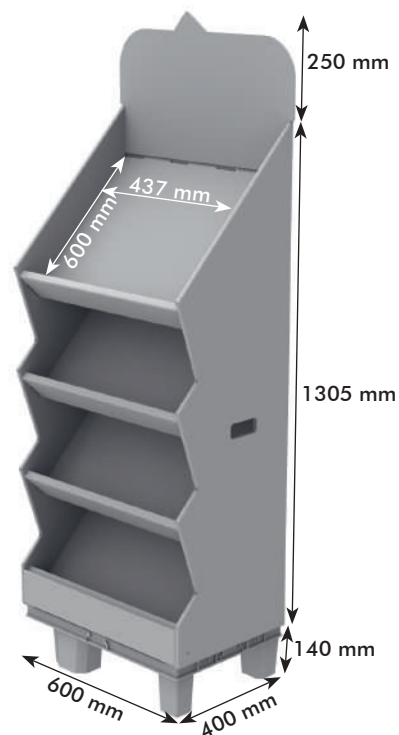
# CARDBOARD DISPLAY WITH TILTED SHELVES

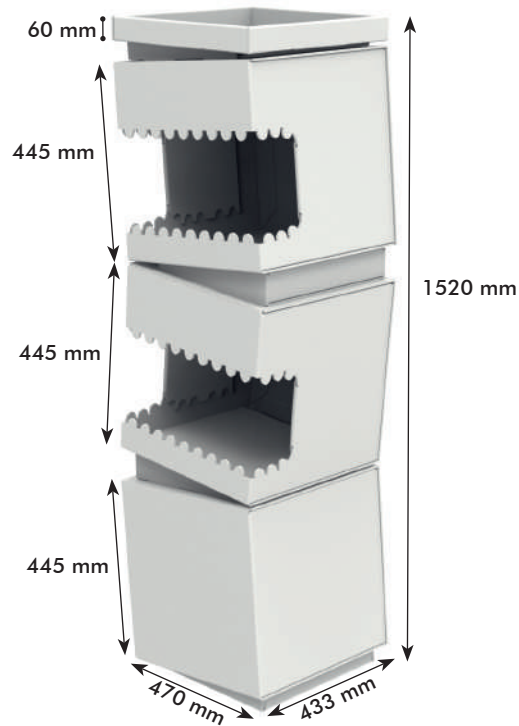
## A good classic never dies

Small details like a display fitted on CHEP pallet or with tilted shelves can mark the border between: to sell or not to sell.

### Characteristics:

- Made of corrugated cardboard
- Outer overall dimensions: 600x400x1540 mm





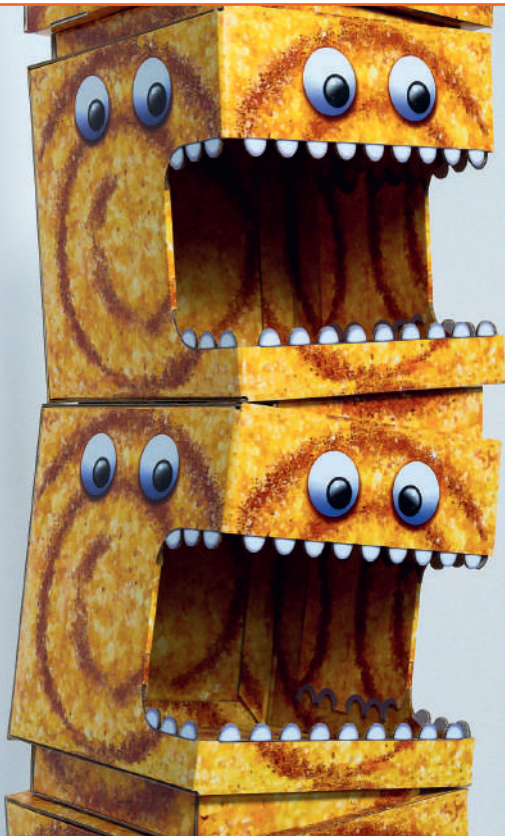
## CRAZILY CINNAMON DISPLAY

Now, this is what we call attention catcher. Child or adult, this display is irresistible to any age range, occupation, or seriousness level.

Playful, colourful and absolutely cool, this display will stand out in the middle of any store. Your customers will not only want to buy your product, but they will want to take even the displays to their homes!

### Characteristics:

- Made of corrugated cardboard
- Outer overall dimensions:  
470x433x1520 mm



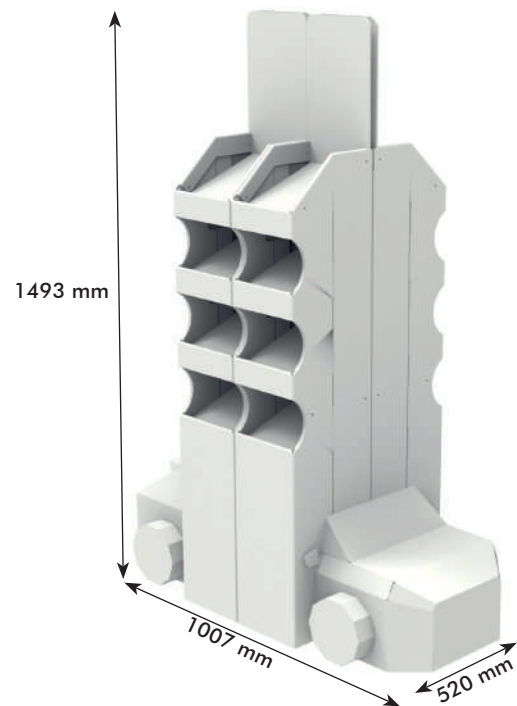
# TRANSFORMERS

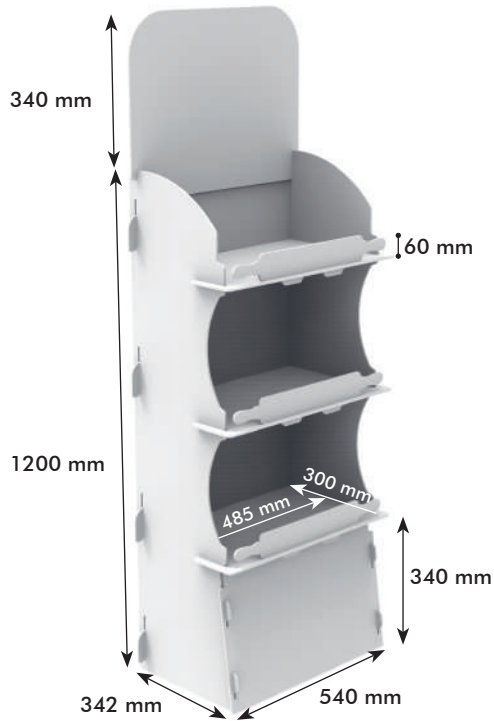
## And the cardboard cars

Mix and match cars and chewing gums, brands and designs. The result is just impossible to ignore. After a long period of restrictions and boring activities, it's more than necessary to bring more joy in our lives - even when going shopping. Make sure your customers will smile at your brand and happily choose your product.

### Characteristics:

- Made of corrugated cardboard
- Outer overall dimensions: 1007x520x1493 mm





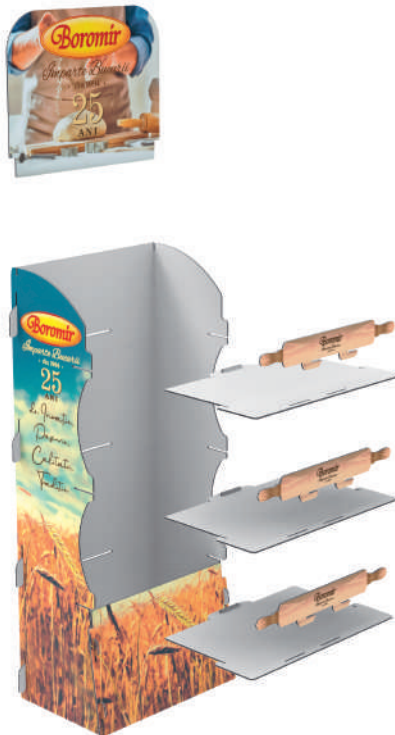
## NATURAL BAKERY SHELF

### Something is cooking!

This design will send you right into Grandma's kitchen. It's not just a display, it's an overall experience.

### Characteristics:

- Made of natural wood fiber board, digital printed
- Outer overall dimensions: 540x342x1540 mm
- Flat pack delivered in a cardboard box



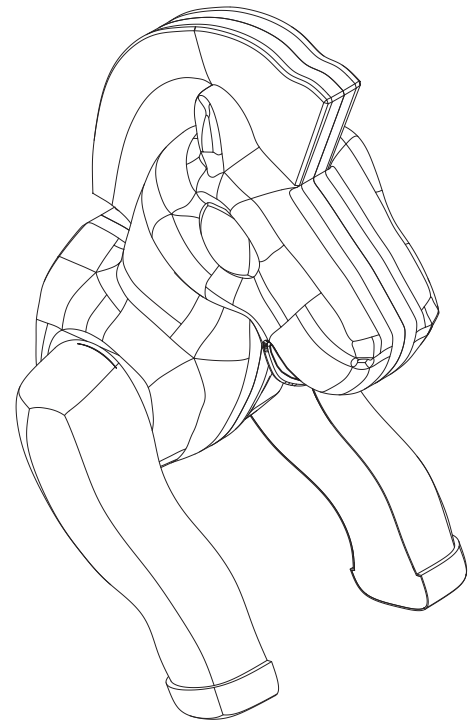
## VACUUM FORMED ZEBRA DISPLAY

Luckily, our creativity cannot be quarantined.

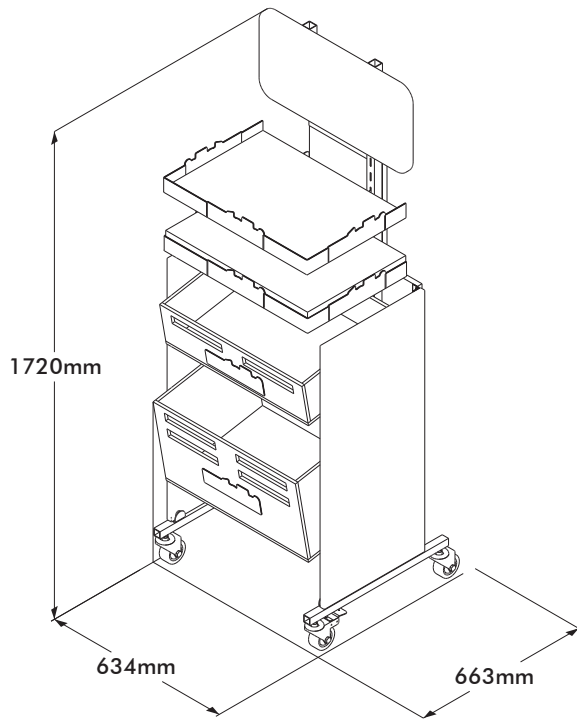
Thus, despite the traveling restrictions, we bring the exoticism of the Savanna closer to you. Every shopping day can turn into a real wildlife experience with these vacuum formed zebra displays that will make every soul happier - from the youngest to the oldest.

### Characteristics:

- Made of rectangular steel pipe, PVC foam board and PS film







## MULTI-MATERIAL DISPLAY

Because Nutella is a good reason to buy bread.

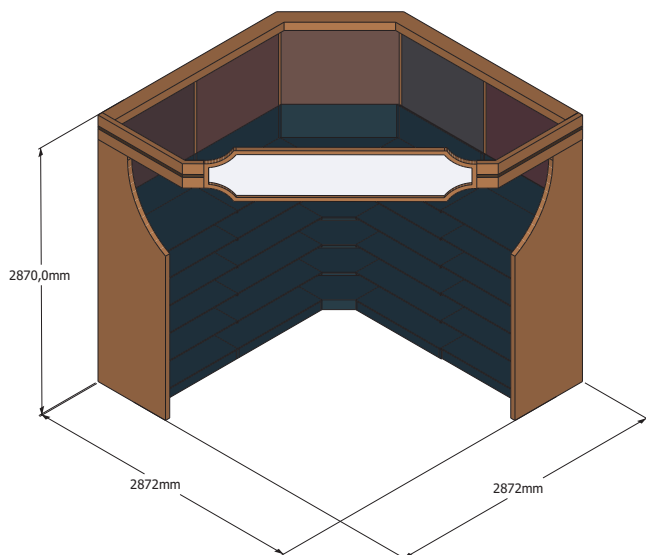
Playing around with shapes and structures might be risky sometimes, but it might also be worth it!

This multi-material display can hold different sizes of your product while bringing the customer's attention straight to your brand. Also, it can be easily placed in different corners of the store thanks to the very practical wheels.

### Characteristics:

- Made of natural wood fiber board, metal and PVC
- Outer overall dimensions: 654x664x1720 mm





## Have you seen our fall-winter collection for shelves? Yes, you've heard correctly!

Fashion has moved on the supermarkets shelves too and it now dresses your shelves in the most attractive "outfits". Everyone's attention will focus on your brand! The cold season is around the corner. Dress up your brand and the sales will keep you warm the entire winter.

### Characteristics:

- Made of natural wood fiber board and printed PVC foam

# FLAT PACK DISPLAYS

2020



Discover  
a new  
range of  
Displays!

All the displays are created and built by the guys in our design department in a cost saving mindset. Delivered in a way that minimizes the freight volume. Individually packed for better logistics, for easier storage and split deliveries. Illustrated easy-to-build assembly instructions.

Our cool designers are looking forward for more challenges 😊

Visit our website for more information: [www.artmatch.net](http://www.artmatch.net).



## ROMANIA

Customer service, Design, Production  
Calea Șagului (DN59), KM 8+550 m,  
Platforma Incontro, Hala 4-7  
307221 Chișoda, Timiș, Romania  
Phone: +4 0256 305000  
info@artmatch.ro

## ROMANIA

Sales office  
Str. Ecaterina Teodoroiu 5  
010971 București, Sector 1, Romania  
Phone: +40 372783591  
bucuresti@artmatch.ro

## HUNGARY

Kagyló utca 1-3. 2092 Budakeszi  
Phone: +36 23-457145  
info@artmatch.hu

## SERBIA

Bulevar Arsenija Carnojevica 203/3,  
11070 Novi Beograd  
Phone: +381 11-3121575  
info@artmatch.rs

## GERMANY

Raiffeisenring 15, 46395 Bocholt  
Phone: +49 0 2871-2943758  
info@artmatch.net

**ARTMATCH**  
**20**  
years of excellence

[www.artmatch.net](http://www.artmatch.net)

**f** <https://www.facebook.com/artmatch.ro>

**@** [https://www.instagram.com/artmatch\\_timisoara/](https://www.instagram.com/artmatch_timisoara/)

**in** <https://www.linkedin.com/company/art-match/>

**t** [https://twitter.com/artmatch\\_ro](https://twitter.com/artmatch_ro)



**ARTMATCH**  
IN EVERY STORE