



ARTMATCH
IN EVERY STORE

**NON-FOOD
DISPLAYS**



HISTORY

Since 1998, we are providing high quality and cost-efficient solutions for display designs. Our continuous development based on innovation, consistency and dedication made us a trustworthy European partner in the retail environment.

MISSION

Creativity and flexibility define us as we are highly adaptable to our customers' needs. Our main focus is to come up with customised, versatile and up-to-date solutions that will significantly improve the shopping experience. Our aim is to make customers sell better. The question is: Do you want to sell better?





Surprise your clients with next-generation solutions

The Millennials are well-known as being a highly demanding and hard to convince generation. Therefore, you need to involve lots of inventivity in your designs in order to impress them.

How do we manage to put the spotlight on your brand and to make your product the superstar of the market? By constantly keeping up with the latest trends and by challenging our creativity to the limits.

With over 20 years of experience in custom retail display creation, ARTMATCH works with a dedicated and skilled team helping its customers sell better.



OPTIC DISPLAYS

Here's your chance to grab your customers' attention

This display is a real eye catcher that will showcase all the information needed to encourage the buying behaviour.

Characteristics:

- Made of PVC foam board and plexiglass
- Various sizes





LENS HIGHLIGHTER

An outstanding product needs a tailor-made presentation

No time to despair. We got your back! This product highlighter will fit your product like a glove and it will accentuate all its qualities.

Characteristics:

- Made of plexiglass and PVC foam (different thicknesses)
- Various sizes



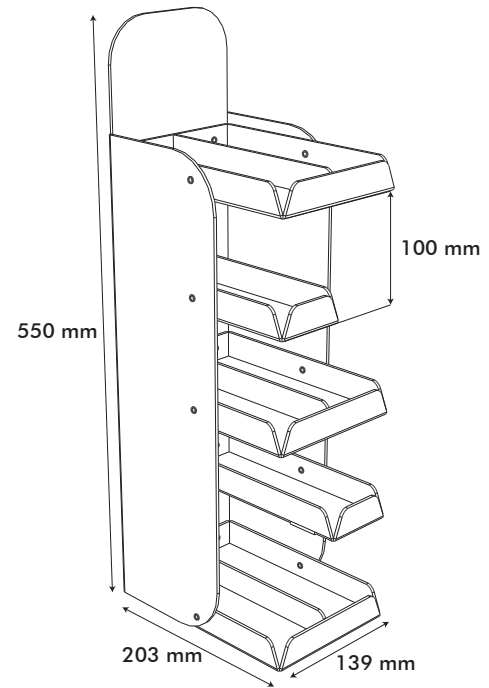
COUNTER DISPLAY

Innovation defines us

All we want is to make your product end up in people's houses. Therefore, we adopt unique and creative ideas to make it happen. We got this!

Characteristics:

- Made of plexiglass
- Outer overall dimensions:
139x203x550 mm





CARDBOARD DISPLAY

Slim down, fit better

You can fit your display in really narrow spaces and yet you will still generate interest in your products.

Characteristics:

- Made of corrugated cardboard
- Various sizes



CARDBOARD FLOOR DISPLAY

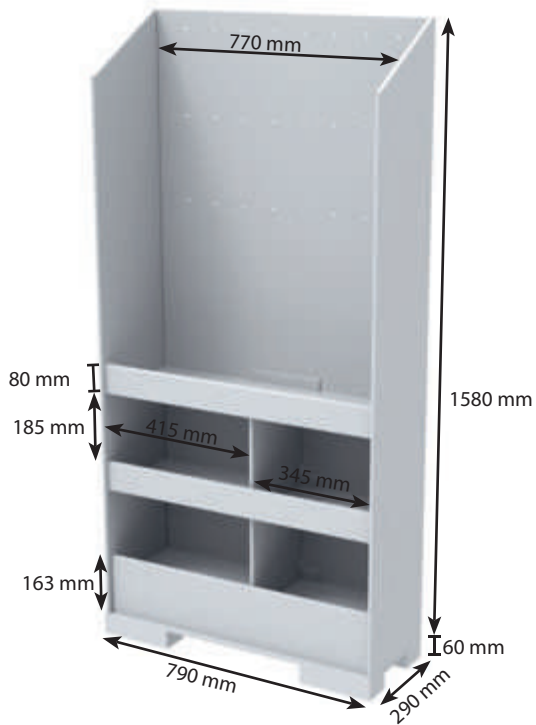
Keeping things in order is key to a good sale!

This display will please even the most demanding customers when it comes to keeping the products visible and arranged. Even if your products are in smaller packages, you can showcase them in line and attractive to your customers.

Characteristics:

- Made of corrugated cardboard
- Various sizes





CARDBOARD DISPLAY WITH HOOKS AND SHELVES

It makes all the difference!

Small details like adding some hooks on the top of the display can make your products more visible and reachable. Boost your sales and enjoy the results!

Characteristics:

- Made of corrugated cardboard
- Outer overall dimensions: 600x400x1700 mm



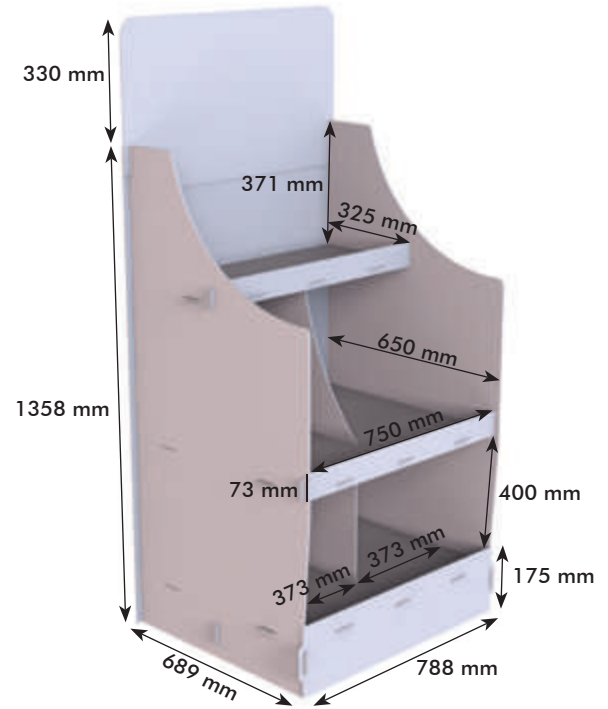
HDF FLOOR DISPLAY

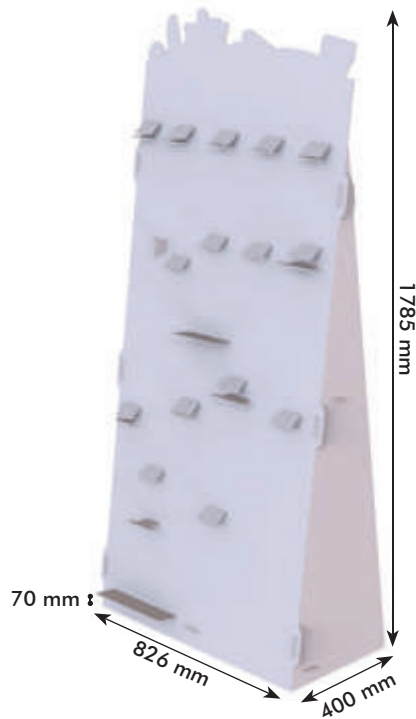
Present your products in a great fashion!

Some products are harder to display because of their shapes and sizes. But don't worry. We have the solution. This display will make sure everything is organized, visible and reachable.

Characteristics:

- Made of HDF (high density fibreboard)
- Outer overall dimensions: 689x788x1688 mm





HDF KITCHEN USTENSILS DISPLAY

Diversity is attractive!

Are you tired of displays that are made to showcase a single type of product? This multi-purpose stand can display products with different sizes and purposes at the same time. Quite atypical, since most of the displays are designed for a single type of product, our multi-purpose display will put your brand under the spotlight.

Characteristics:

- Made of HDF (high density fiberboard)
- Outer overall dimensions: 400x826x1785 mm
- Flat pack delivered



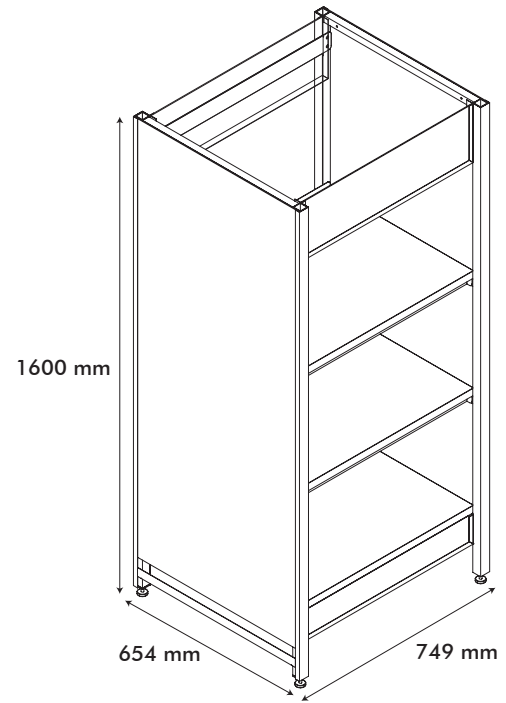
FLOOR METAL DISPLAY

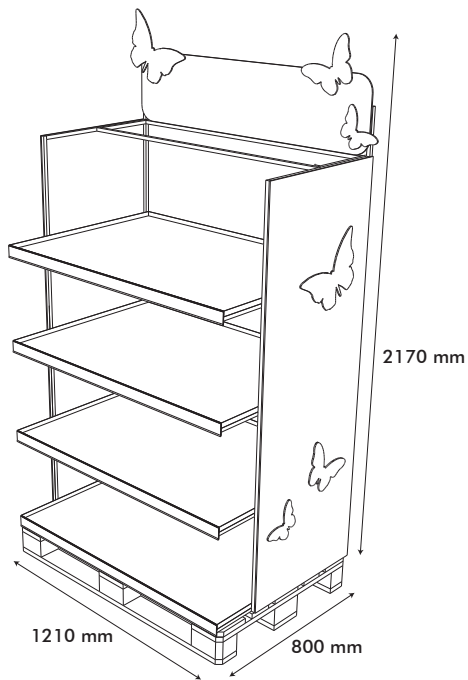
Heavy or large, we got this!

We all know the struggle of displaying heavy or large sized products. They are hard to fit and they need special shelves for a great support. This metal display has all the features your products need.

Characteristics:

- Made of steel, rectangular steel pipe and pvc foam board
- Outer overall dimensions: 749x654x1600 mm





PERMANENT METAL DISPLAY

Long term visibility for long lasting time frames!

This incredibly strong and robust metal display is able to handle heavy weights and it's a great option if you are looking for a permanent display.

Characteristics:

- Made of steel, rectangular steel pipe and pvc foam board
- Outer overall dimensions: 1210x800x2170 mm



SHOP IN SHOP DISPLAY

Stand out from the crowd!

When it comes to the “shop in shop concept”, the competition is quite tight. Therefore, we will make sure your brand will have an outstanding presentation and your customers will remember it.

Characteristics:

- Made of AL-PVC-AL composite panel, aluminium slatwall profiles, plexiglass, pvc foam board, LED strip and power supply
- Various sizes



FLAT PACK DISPLAYS

2020



Discover
a new
range of
Displays!

All the displays are created and built by the guys in our design department in a cost saving mindset. **D**elivered in a way that minimizes the freight volume. **I**ndividually packed for better logistics, for easier storage and split deliveries. **I**llustrated easy-to-build assembly instructions.

Our cool designers are looking forward for more challenges 😊

Visit our website for more information: www.artmatch.net.



ROMANIA

Customer service, Design, Production
Calea Șagului (DN59), KM 8+550 m,
Platforma Incontro, Hala 4-7
307221 Chișoda, Timiș, Romania
Phone: +4 0256 305000
info@artmatch.ro

ROMANIA

Sales office
Str. Ecaterina Teodoroiu 5
010971 București, Sector 1, Romania
Phone: +40 372783591
bucuresti@artmatch.ro

HUNGARY

Kagyló utca 1-3. 2092 Budakeszi
Phone: +36 23-457145
info@artmatch.hu

SERBIA

Bulevar Arsenija Carnojevica 203/3,
11070 Novi Beograd
Phone: +381 11-3121575
info@artmatch.rs

GERMANY

Raiffeisenring 15, 46395 Bocholt
Phone: +49 0 2871-2943758
info@artmatch.net



ARTMATCH
IN EVERY STORE